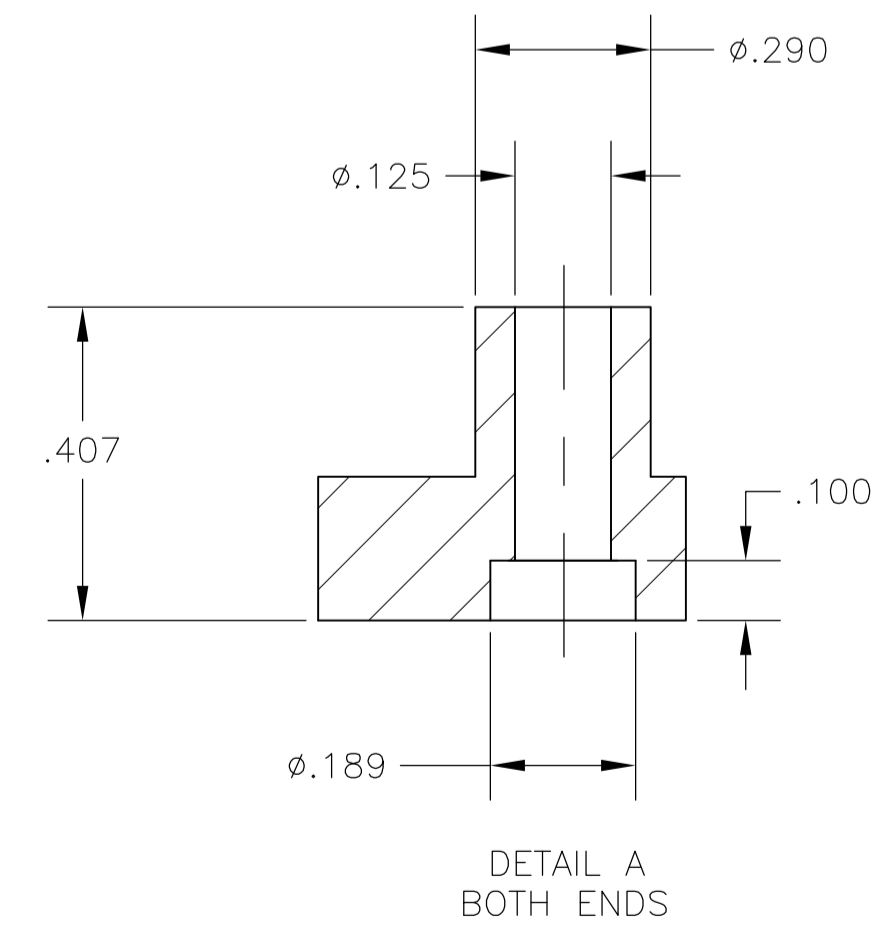
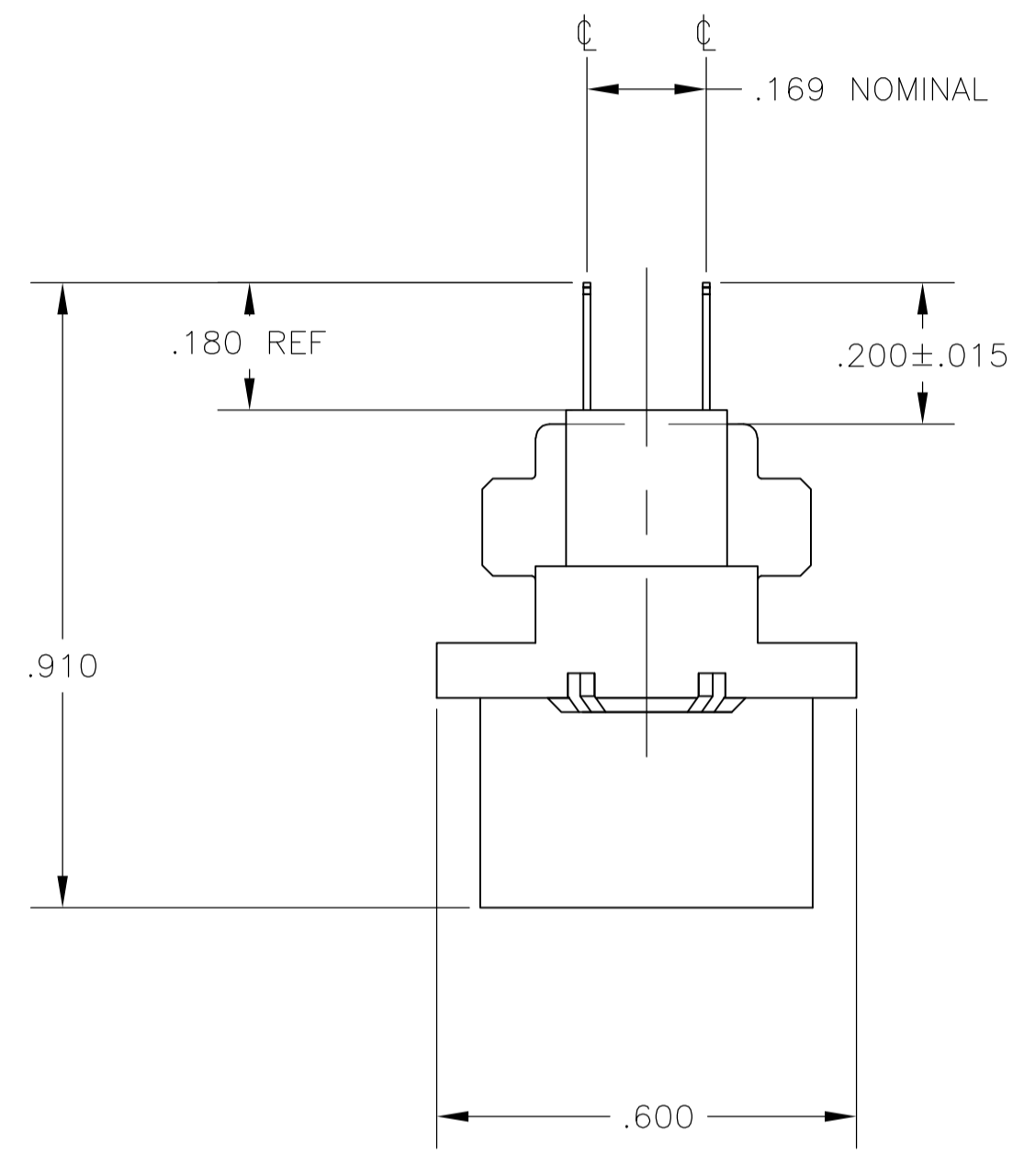
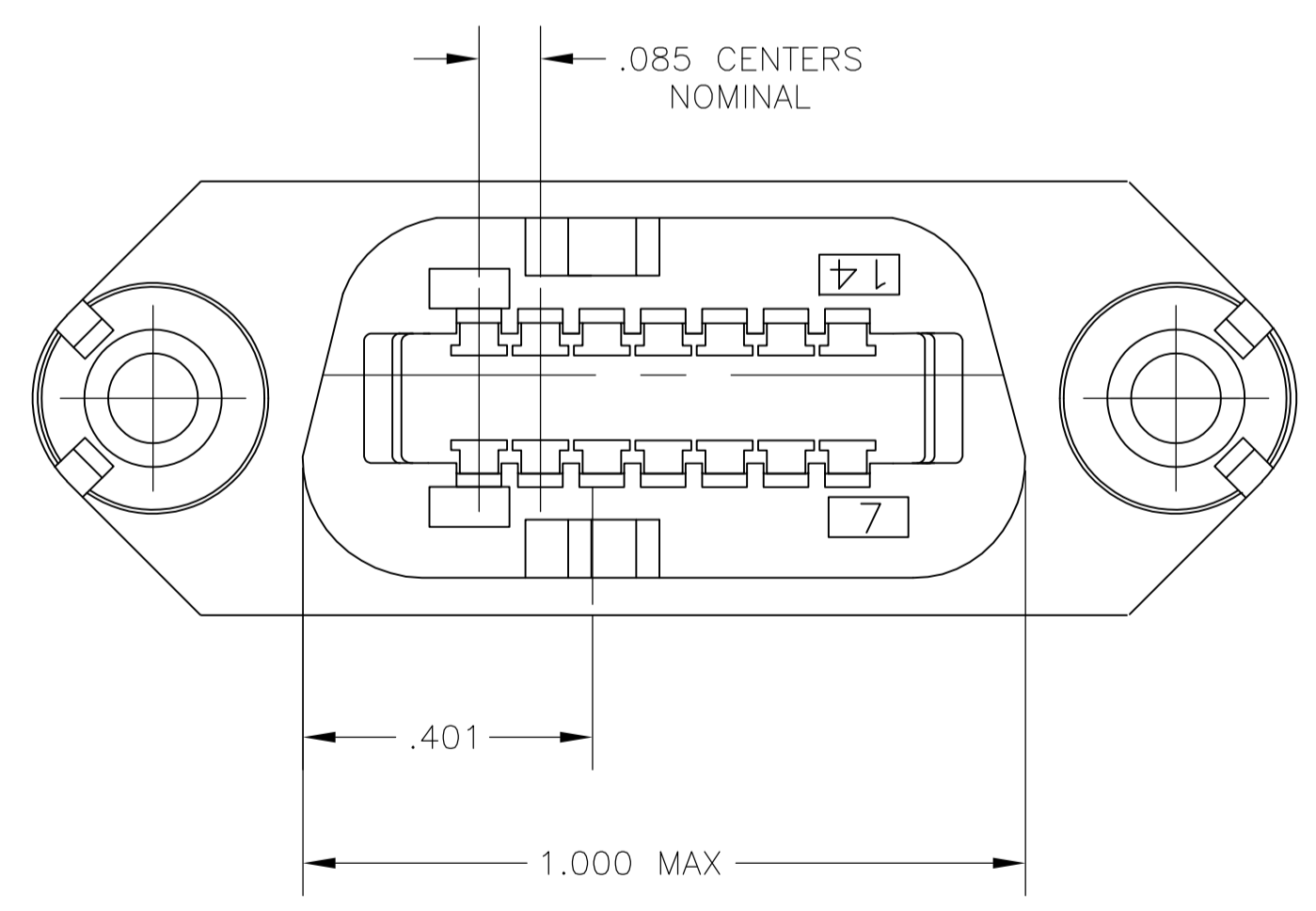
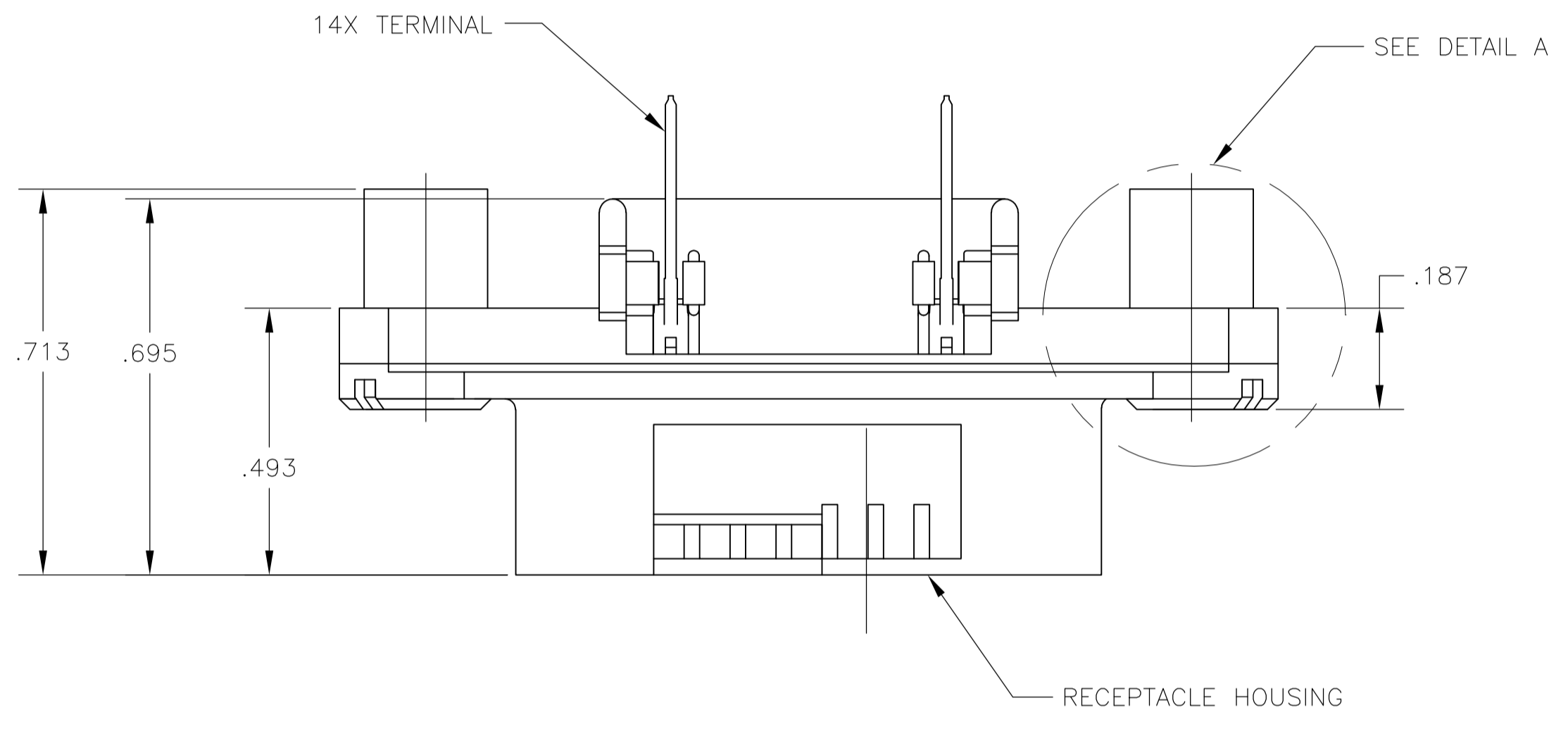
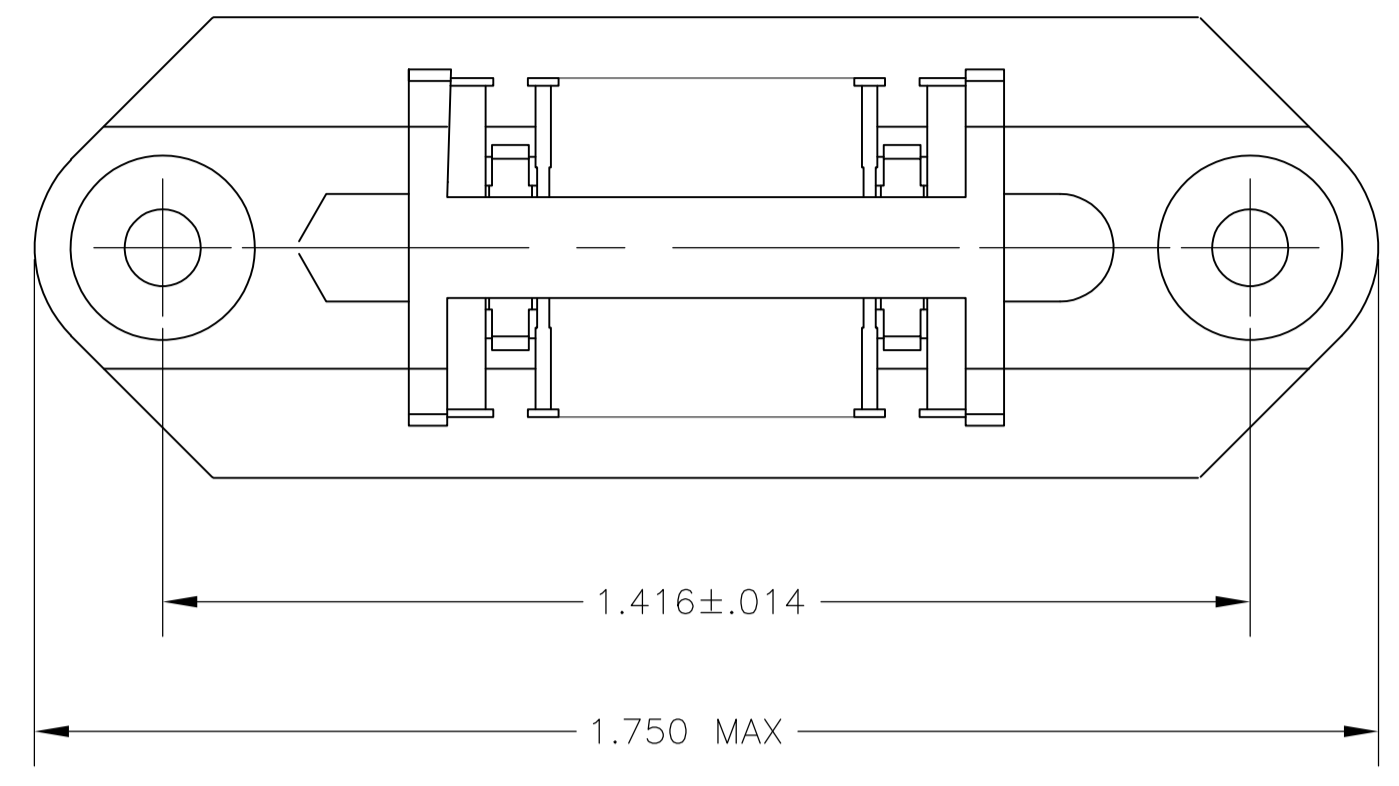


LOC		DIST		REVISIONS			
GP	00	REV	DATE	BY	CHK	APP'D	REV
F		REVISED PER ECO-08-007327	18APR08	BM	WM		



- THE CONTACT SURFACES OF THE TERMINALS ARE COATED WITH LUBRICANT.
- ⚠ ALL DIMENSIONS SHOWN ARE FOR REFERENCE ONLY UNLESS OTHERWISE SPECIFIED.
- ⚠ MATERIAL: HOUSING - THERMOPLASTIC, BLACK.
 TERMINAL - PHOS BRONZE PLATED WITH EITHER .000030 MINIMUM GOLD PLATE OR GOLD FLASH OVER PALLADIUM NICKEL PLATE, .000030 MIN TOTAL ON MATING SURFACE.
 .000120 MINIMUM TIN-LEAD PLATE ON TAILS OVER .000050 MINIMUM NICKEL UNDERPLATE OVER ENTIRE TERMINAL.

552212-1
PART NUMBER

THIS DRAWING IS A CONTROLLED DOCUMENT.		DIN Z REAM 13/MAR/07	Tyco Electronics Corporation Harrisburg, PA 17105-3608	
DIMENSIONS: INCHES		CHK: W MILLHIMES 13/MAR/07	NAME: RECEPTACLE ASSEMBLY 14 POSITI VERTICAL MOUNTING, W/ STANDOFFS CHAMP-LOK	
TOLERANCES UNLESS OTHERWISE SPECIFIED:		APP'D: W MILLHIMES 13/MAR/07	RESTRICTED TO	
0 PLC ± -	1 PLC ± -	PRODUCT SPEC	SIZE: A1	CAGE CODE: 00779
2 PLC ± -	3 PLC ± -	APPLICATION SPEC	DRAWING NO: 552212	REV: F
4 PLC ± -	ANGLES ± -	WEIGHT: -	CUSTOMER DRAWING	SCALE: 4:1
MATERIAL: 3		FINISH: 3		SHEET 1 OF 1